

# High Gain Directional Yagi Antenna for 2.4 GHz ISM Band

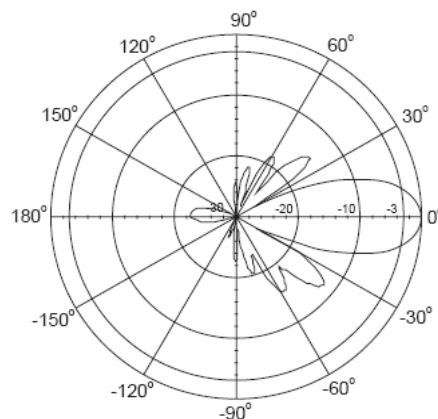
## ALL19022

### Electrical Specification

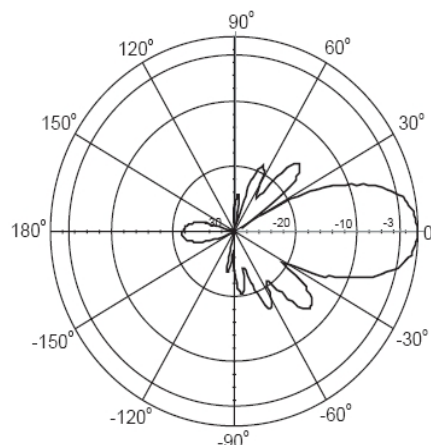
Frequency range	2400 MHz - 2500 MHz
Gain	14 dBi
VSWR	1.5 : 1 Max.
Polarization	Linear, vertical
HPBW / horizontal	25°
HPBW / vertical	30°
Front to back ratio	25 dB
Power handling	10 W (cw)
Impedance	50 Ohms
Connector	N jack



H-plane Co-polarization Pattern



V-plane Co-polarization Pattern



### Environmental & Mechanical Characteristics

Survival wind speed	180 km/hr
Temperature	- 40°C to +80°C
Humidity	95% @ 55° C
Radome color	Gray
Radome material	ABS, UV resistant
Weight	600 g
Mechanical UP/down tilt	+10 ~ -15°
Dimensions	560 x 89 x 50 mm

